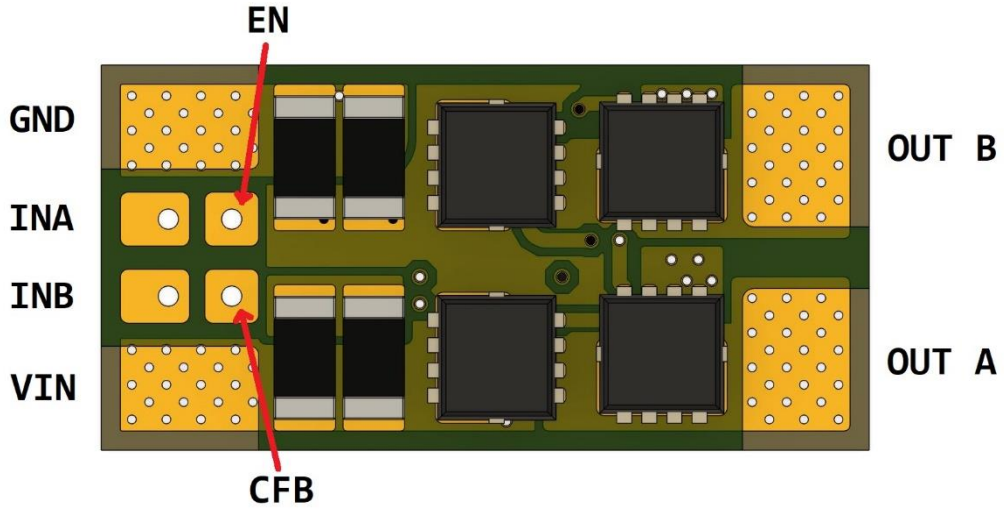
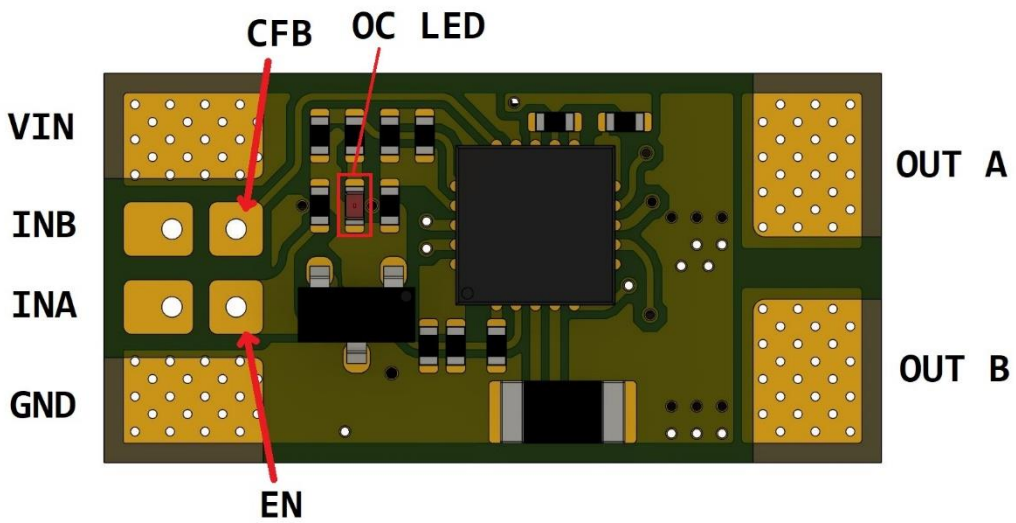


DRVA4955

Pinout top view



Pinout bottom view



VIN	DC Power positive input
GND	DC Power negative input (ground)
OUT A	Driver output A
OUT B	Driver output B
IN A	Driver control input A
IN B	Driver control input B
EN	Driver ENABLE / SLEEP
CFB	Current feedback

OC LED	Overcurrent indicator
--------	-----------------------

Electrical characteristics

Property	Condition	Value	Units
Vin max		30	V
Vin min		6	V
Iout peak	T<10us	168	A
Iout limit		25	A
Max operating temperature (mosfets)		150	*C
Max operating temperature (board)		120	*C
Thermal shutdown temperature		165	*C
V input LOW		<= 0.8	V
V input HIGH		>= 2.0	V
V input LOW (enable)		<= 0.4	V
CFB max		2.5	V

Control description

EN	INA	INB	OUTA	OUTB	Function
1	0	0	Z	Z	Coast
1	0	1	L	H	Reverse
1	1	0	H	L	Forward
1	1	1	L	L	Brake (Slow decay)
0	X	X	Z	Z	Sleep (Standby)

Enable pin has internal 10K ohm pull-up to 5V, can be left disconnected if not used.

Current feedback formula: $I = V_{CFB} * 10$